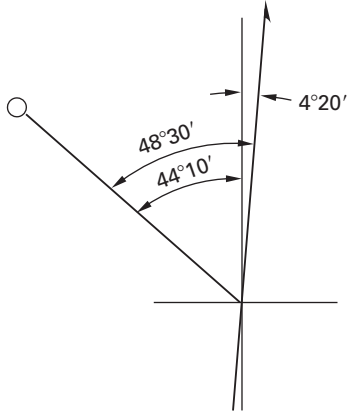


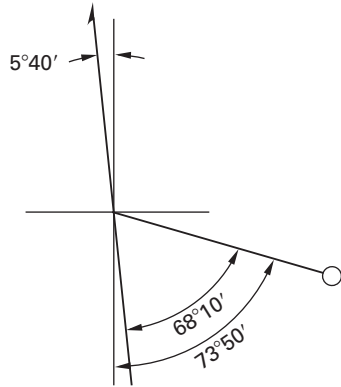
8.



N 44°10' W

true bearing \_\_\_\_\_

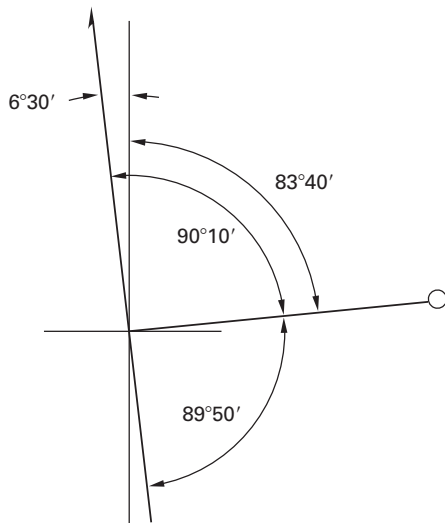
9.



S 73°50' E

true bearing \_\_\_\_\_

10. Both the geodetic (or grid) meridians and the magnetic meridians are drawn. Plotting the given magnetic bearing allows a graphic view of the equivalent azimuth and true bearing.

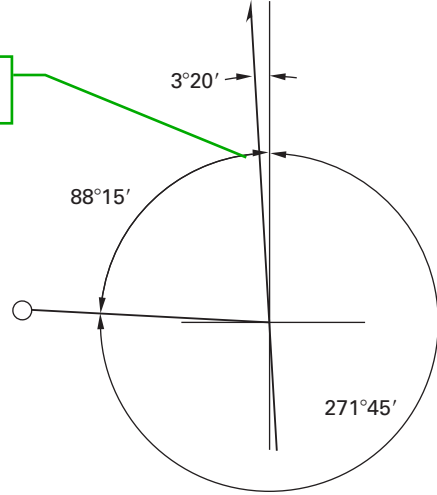


N 83°40' E

true bearing \_\_\_\_\_

11.

adjust arrow head to touch the line



S 88°25' W

true bearing \_\_\_\_\_